

## Clevertest Plus

Refer to the supplementary operation guide supplied with the Product.

After Power ON, the Status LED on a Clevertest Plus enabled fitting will display a rapid Green or Red flashing for a period up to 2 minutes.

**4HR:** CTP will only test for the 2 hours (first test) and 90 minutes duration. 4 hours testing would only be facilitated as a Manual Discharge Test.

### Zoneworks, HIVE (HV/HVG) and DATA Monitored Options

Fittings with part numbers -ZW, -HV, -HVG, -DATA are fitted with Zoneworks communications modules (nodes). These fittings are monitored using either Powerline Carrier Technology that utilize the power cable to provide data communication, RF transceiver modules operating in the ISM band or a dedicated data cable to/from data routers installed on a dedicated data trunk connected to a central Server (can also be connected via Ethernet/Internet/Fibre). Zoneworks software on the server is used to monitor, coordinate testing and collate test data from each fitting. Zoneworks Fittings can be commissioned by a single push of the test switch or by scanning the supplied barcode. The LED Test Switch indicator provides a multifunction indication of the status of the fitting during testing and normal operation:

Option	State	LED Operation
ZW, HV, HVG, DATA	Commissioned	LED on Solid (Green)
ZW, DATA	Un-commissioned	<b>Batt plugged-in:</b> yellow 1s, green 1s
		<b>Batt unplugged:</b> red 1s, off 1s
HV, HVG	Un-commissioned With network connectivity	<b>Batt plugged-in:</b> yellow 1s, green 1s
		<b>Batt unplugged:</b> red 1s, off 1s
HV, HVG	Un-commissioned Without network connectivity	<b>Batt plugged-in:</b> yellow 250mS, green 250mS, yellow 250mS, green 250mS, green 1s
		<b>Batt unplugged:</b> red 250mS, off 250mS, red 250mS, off 250mS, off 1s
ZW, DATA	Emergency Light Test In Progress	LED flashes at yellow 5s, Off 1s
HV, HVG	Emergency Light Test In Progress	LED flashes at yellow 1s, Off 1s

In the case of the DATA version a 2-way "figure 8" cable and terminal block facilitates the connection to the DATA network via a multi-drop bus (daisy chain connection). For further information of installation of a Zoneworks system, please refer to the Zoneworks Users Guide and Commissioning Guide (incl. DATA version)

### DALI EM Option

Luminaires with part numbers having -DALI are fitted with DALI modules (nodes) that facilitate connection and integration to 3<sup>rd</sup> Party Lighting Control Systems. Before installing the -DALI luminaire, please confirm that the Lighting Control System has the capability to monitor DALI Emergency Luminaires. The -DALI fitting will be addressed and configured into the control system by the Lighting Control System Commissioning Technicians and not Clevertronics.

State	LED Operation
Commissioned/ Un-commissioned	LED on Solid (Green)
Emergency Light Test in progress	LED flashes at 1s On (Yellow) & 1s Off
"IDENTIFY COMMAND"	Lamp and Status LED Flash for 30 seconds

A 2-way "figure 8" cable and terminal block facilitates the connection to the DALI network. DALI connections are marked as Da Da.

### Driver Setting:

For non -SEN / -DD products

### Note:

This luminaire (with reinforced insulation between control/LED terminal and AC supply) contains non-user replaceable light source and battery - to be replaced (if required, refer installation instructions for battery replacement) by Clevertronics service personnel/agents or a registered electrician.

Position	Irated Mode
ON	LO (270mA)
OFF	HI (470mA)



## LP™ Argonaut Square LED Emergency Light

### Installation & Maintenance Instruction Leaflet



**Victoria (Head Office & Manufacturing)**

Website: [www.clevertronics.com.au](http://www.clevertronics.com.au)

Email: [info@clevertronics.com.au](mailto:info@clevertronics.com.au)

Phone: +61 3 9559 2700

**New South Wales**

Phone: +61 2 8805 6400

**Queensland**

Phone: +61 7 3442 9700

**South Australia/Northern Territory**


Phone: +61 8 8301 8800

**Western Australia**

Phone: +61 8 9207 0000

**New Zealand**

Phone: +64 800 548 448

NOTE: Standard product codes with this symbol  are enabled with Clevertest Plus capability. Please refer to the operation guide supplied with the product for details.

### Models: ARGOSQ-yy-xx-LP-zz-uu-vv-ww

#### Testing:

Manual Test	zz = Blank
Zoneworks	zz = ZW
Z/W DATA	zz = DATA
Zoneworks HIVE	zz = HV/HVG
DALI Registered	zz = DALI
DALI-2	zz = D2

#### Options:

Microwave Sensor Hi/Lo Control	yy = SEN
Microwave Sensor ON/OFF	yy = MS
Black Body	vv = BLK
4 Hour Run Time	uu = 4HR
Neutral White	xx = NW
Warm White	xx = WW
Tamper Proof	ww = TP

### Spare Parts:

1550230	Replacement Battery
8050785	Replacement LED Board
8050781	Replacement LED board (-NW)
805-00001	Replacement LED Board (-WW)
AUM02370390001	Replacement Emergency Driver
AUM02970040001	Replacement Emergency Driver (-HVG)
AUM02970500001	Replacement Emergency Driver (-HVG-4HR)
AUM02170300001	Replacement Emergency Driver (-ZW)
1330099	Replacement 240V Driver
1330095	Replacement 240V Driver (-SEN)
1190312	Replacement Microwave Sensor (-MS)
AUN00000000901	Mustang PRO 240v Driver (cc)

### Important:

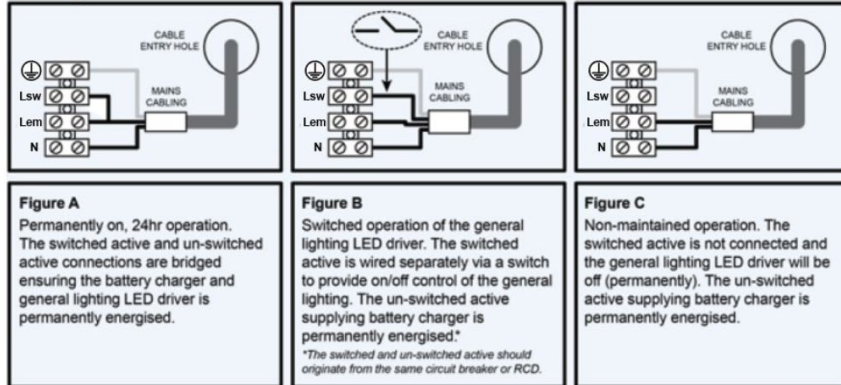
It is illegal for anyone, except for a licensed electrician to install or maintain this product. Before installation, ensure that the electricity supply has been switched off and isolated. Installation must be carried out in accordance with the relevant Australian and International Standards.

## Installation:

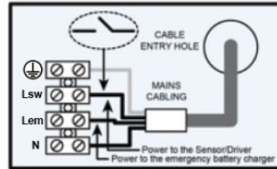
The LP Argonaut Square can be installed either Ceiling or Wall Mounted.

- Remove the four (4) screws holding the diffuser to the base.
- Remove the four (4) screws holding the gear tray to the base.
- Determine the cable access point. There are 2 locations on opposite sides of the fitting for cable gland/conduit entry. Entry can also be from the back of the base. Drill out the desired cable entry point.
- **Note: Only round cables are to be used with the cable gland for an IP65 seal. Keep cable entry straight and tension free. Ensure all seals are tight. min. wire diameter 7mm, max. 12mm.**
- Drill out 4 of the mounting points in the base (see image below).
- Using the base as a guide, mark the 4 holes for mounting and one for mains access if using back cable entry.
- Mount the base using appropriate fixings and seal these fixings with appropriate sealant (also fill any additional entry points).
- **If Wall Mounted**, then the installation should take place in a manner such that the Status LED is at the bottom where it will be visible to an observer standing directly below the luminaire.
- Route the power inside the base.
- Connect the 240VAC (Lem,E,N,Lsw) supply to the terminal block of the gear tray. For fittings with the -MS option, connect the power inputs to L<sub>EMG</sub>, E, N, L<sub>SEN</sub> terminals. Slave fittings can be controlled via the Microwave Sensor by powering them through the output terminal SW (Live).
- Install the gear tray to the base.
- Apply power to the fitting and test per the instructions.
- **If the CTP capabilities are activated**, please affix the CTP status label to a visible surface and Four Segment Marking on the product will include an "F" in third segment block

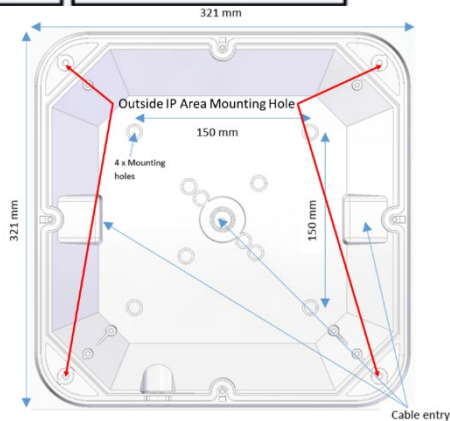
## Wiring:



## Sensor Version:



## Dimensions:



## Networking:

When installing the product on a monitored network, (ZONWORKS, HIVE, DATA, DALI) simply insert the relevant Smart Node PCA.

## Testing:

Once connected to the 240V mains supply, the unit must be allowed to charge the battery for at least 24 hours. Conduct the following tests:

- For the first test, the emergency lamp must remain illuminated for at least 2 hours (4 hours for -4HR fittings) after disconnection from the mains supply.
- Subsequent tests require the unit to illuminate for at least 90 minutes hours (4 hours for -4HR fittings). The results of all tests are required to be recorded in a service logbook, which is to be kept on-site at all times. If the unit fails to remain illuminated for the requisite time, remedial action must be taken to repair the situation and once completed, the unit must pass a subsequent test. For more specific information, please refer to the current edition of the AS 2293.3 Standard.

## Maintenance:

### Lamp Replacement:

- Use only the lamp(s) recommended on the label inside the Argonaut.
- To replace the LED Panel, remove the clips, disconnect the signal cable and install the new Lamp Panel.

### Battery Replacement:

- Use only the battery recommended on the label inside the Argonaut and on this instruction.
- Remove the fasteners holding the battery, un-plug the lead from the PCB and remove the old battery.
- Attach the new battery, route the DC cable to the PCB and plug the new battery.

## Trouble Shooting:

Below are a list of common problems and their possible causes.

### Fault: The Green LED Test Switch indicator is not illuminated.

Check: A.C. is connected and is turned on.  
Battery is connected  
Test Switch for damage.

### Fault: Lamp does not illuminate in emergency mode.

Check: A.C. is connected.  
Lamp is correctly inserted.  
Battery is connected

### Fault: Lamp illuminates in emergency mode, but only stays on for a short period.

Check: Battery has been allowed to charge for at least 24 hours.  
Battery for damage.

## Rated Emergency Lumen Output in accordance with AS2293.1 (refer to spacing tables for installation positions):

Refer to the Technical Label for classification information.

## Caution:

On many building sites, power circuits may be cut off in an uncontrolled and repetitive basis during construction. As a result, any Exit & Emergency Units, on these circuits, will have their batteries discharged or "cycled". The battery in this fitting has been selected to give excellent long-life performance in a controlled AS2293 testing environment. Excessive battery cycling will reduce through-life performance and may lead to premature battery failure. Battery warranty claims, as a result of such abuse, are specifically EXCLUDED from Clevertronics warranty terms.

## Warranty:

For Product Warranty information and Terms and Conditions of Sales please refer to our website <http://clevertronics.com.au/terms-conditions-sale-australia-nz/>